

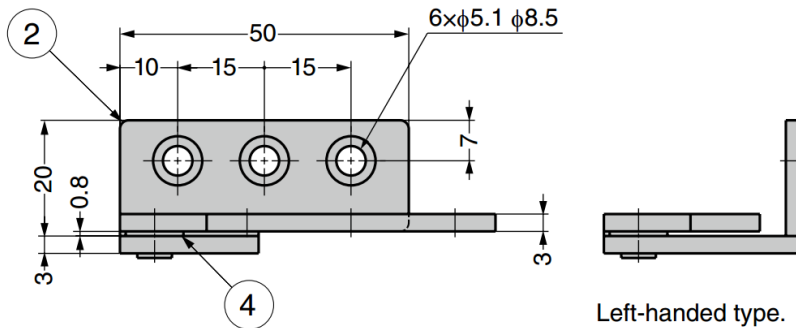
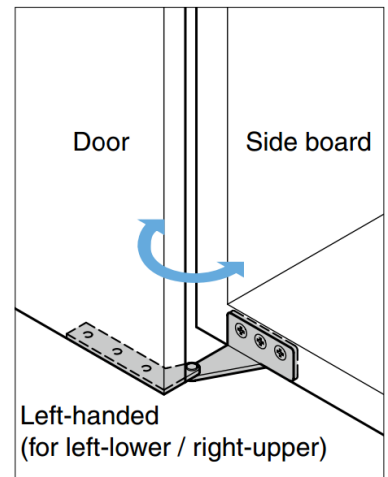
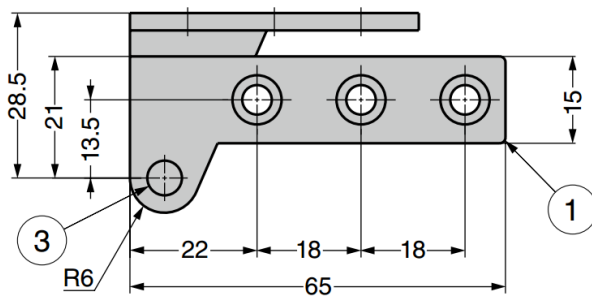
GPL-65 Stainless Steel Overlay Door Pivot Hinge

Features

- Recommended for use in pairs
- Passed 40,000 life cycle test



Left-handed (for left-lower / right-upper)



Left-handed type.

No.	Part Name	Material
①	Arm A	Stainless Steel (SUS430)
②	Arm B	
③	Hinge Pin	Stainless Steel
④	Washer	Stainless Steel (SUS304)

Part No.	Type
GPL-65R	Right-handed (for right-lower, left-upper)
GPL-65L	Left-handed (for left-lower, right-upper)